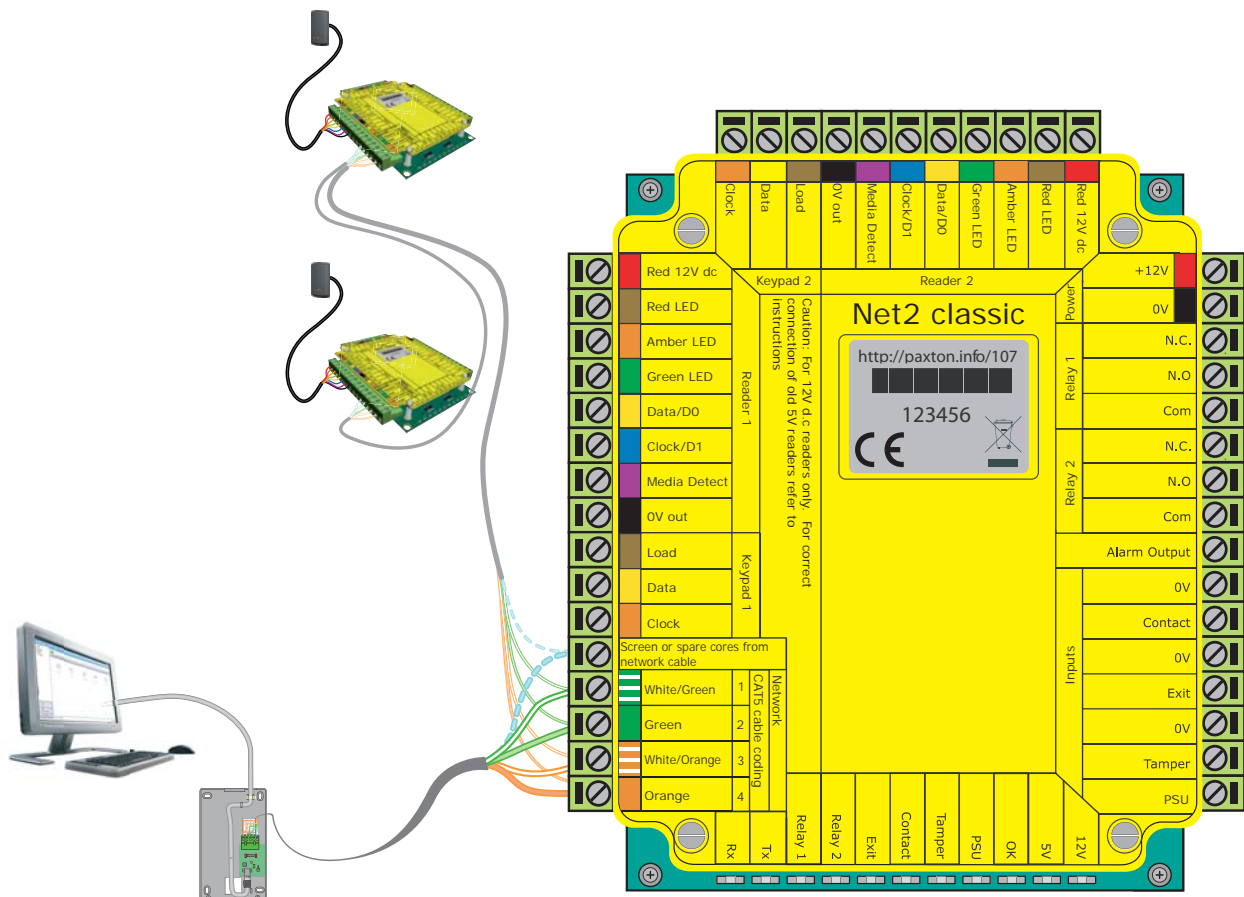


Net2 classic



An access control unit for use with a dedicated Net2 network



What is it?

Net2 is a PC based security system for controlling access through doors. Net2 allows users to be given access to particular areas at certain times. Because the system is networked, all administration can be done from a central point.

Net2 classic is one of a range of three Net2 control units. It is a single door access control unit and can be networked to others.

The Net2 classic control units are connected using a dedicated 'daisy chain' RS485 network. They communicate with the

server PC via a USB or serial communications converter or across a computer network using a Net2 plus control unit or an Ethernet interface. The server PC can be connected at any point along the RS485 data line.

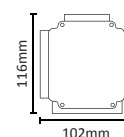
As with all Net2 control units, Net2 classic is designed to work seamlessly in the event of communications failure. It will continue to permit or deny access to users as appropriate. Once communications are re-established the activity is reported back to the PC.

Specifications

Features	
Total users	10,000
Total doors	Max 500 Max 200 per RS485 data line
Doors per Access Control Unit (ACU)	1
Number of tokens	10,000
Number of PIN's	10,000
PIN length	4
Number of codes	50
Code length	4 - 8
Number of time zones	64
Number of time slots	2,000
Number of access levels	250
Stored events per ACU	2,454
Data retention during a total power loss	1 day
Hands free compatible	Yes - requires interface
3rd party readers	Yes - If compatible
Clock and data	Yes
26 bit Wiegand	Yes
Custom Wiegand	Yes
Door open time	Min 1 sec - Max 999,999 sec
Reader ports per ACU	2
Readers/Keypads per ACU	4 - check current draw on individual readers
Total ACU reader port output current	500 mA
Documentation	
More information	http://paxton.info/115
Installation instructions	http://paxton.info/48
Specifications	http://paxton.info/47

Communication	
RS485	Max 200 ACU's per data line, requires an RS232 to RS485 converter
TCP/IP Ethernet	Data line requires a TCP/IP to RS485 converter
TCP/IP nodes	Max 100
Hardware	
Supply voltage	Min 11V DC - Max 15V DC
Supply current	200 mA
Relay switchable voltage	24V DC
Relay switchable current	4 A
Alarm output current	1 A
Operating temperature - battery limits	Min 0°C - Max +55°C
Waterproof	No - If used externally, it must be protected in a weatherproof housing
Reader cable type	Belden 9540
Network cable type	CAT5 or Belden 8723
Other hardware features	
Volt free control relay	
Input for tamper	
Input for exit button	
Input for PSU fail	
Input for door contact	
Alarm output	

Net2 classic 1 door access control unit

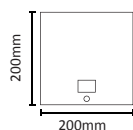


Sales code 489-334

More information <http://paxton.info/115>



Net2 classic in plastic housing

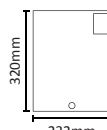


Sales code 385-527

More information <http://paxton.info/115>



Net2 classic with 2A PSU in plastic cabinet

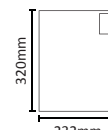


Sales code 411-501

More information <http://paxton.info/115>



Net2 classic with 2A PSU in metal cabinet



Sales code 411-381

More information <http://paxton.info/115>

